

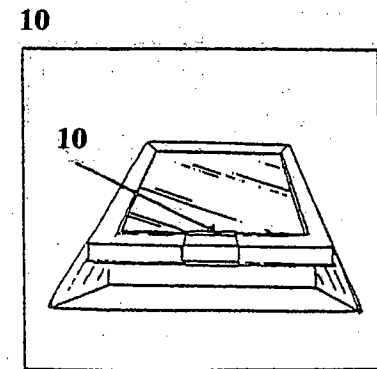
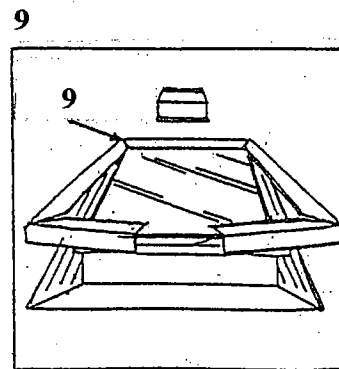
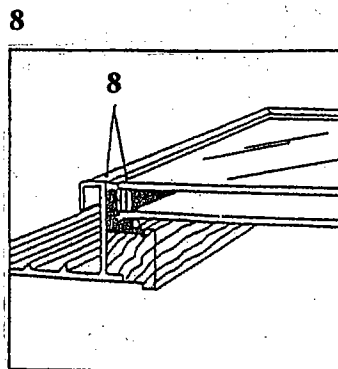
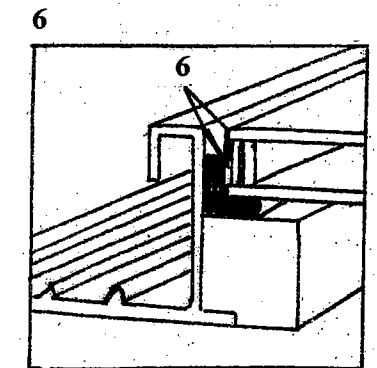
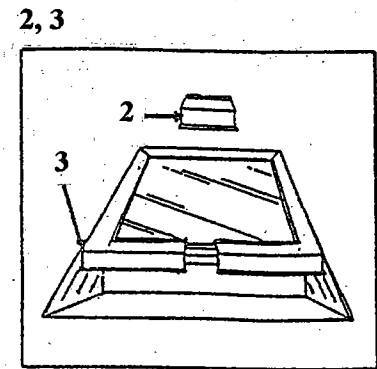
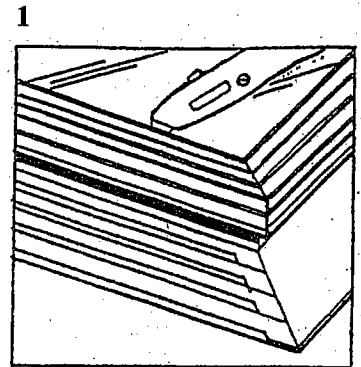


Sun-Tek Manufacturing, Inc.  
 10303 General Drive  
 Orlando, FL 32824  
 407 / 859-2117  
 www.sun-tek.com  
 customerservice@sun-tek.com

**RESEAL INSTRUCTIONS  
 EXTRUDED ALUMINUM DECO RING**

**CLASSIC SERIES  
 FGC, VGC, FHP, TG, CMG**

- 1 Slide a thin blade between the glass and the deco ring to cut the seal.
- 2 Tap the clip that holds the two ends of the deco ring together to one side until one end is free.
- 3 Remove the deco ring, being careful not to bend the ring.
- 4 Remove dry silicone from the underside of the deco ring. Wipe the area with isopropyl alcohol and allow it to dry. Paint the area that will come into contact with silicone with primer and allow it to dry.
- 5 Inspect the silicone seal for any gaps or cracks that may be causing the leaking. An area that has been leaking may be discolored.
- 6 Remove the silicone from the leak area and for 3" on either side of the leak area. **CAUTION: DO NOT REMOVE THE BLACK GASKET THAT IS UNDER THE SILICONE.**
- 7 Remove any loose debris and wipe area with isopropyl alcohol and allow it to dry. Apply primer to all areas that will come into contact with silicone.
- 8 Fill the void using silicone that contains acetic acid (smells like acetone) from the bottom up to 1/4" above the glass.
- 9 Replace the deco ring making sure it is firmly wrapped around the frame.
- 10 Replace the clip at the bottom of the deco ring first. Press down the top of the clip over the deco ring and tap lightly with a rubber mallet.
- 11 Clean off any excess silicone.



**KIT INCLUDES:**

- Silicone
- Primer
- Deco Ring

**TOOLS NECESSARY:**

- Pliers
- Putty Knife
- Scraper
- Glass Cleaner
- Rags
- Rubber Mallet
- Utility Knife
- Brush
- Caulking Gun
- Recommend the use of leather gloves

All installation information is supplied in good faith, but without recommendation as to its use. No guarantee of the results of any use of this information is to be implied, since conditions of use are beyond our control.