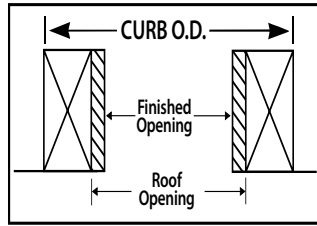




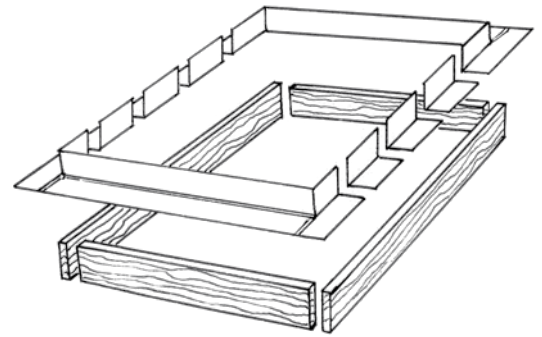
Sun-Tek Manufacturing, Inc.
 10303 General Drive
 Orlando, FL 32824
 407 / 859-2117
 www.sun-tek.com
 customerservice@sun-tek.com

INSTALLATION INSTRUCTIONS CURB & STEP FLASH KIT

Size	Roof Opening (Curb Inside)	Curb Outside Dimension
1725	14½" x 22½"	17½" x 25½"
1733	14½" x 30½"	17½" x 33½"
1749	14½" x 46½"	17½" x 49½"
2525	22½" x 22½"	25½" x 25½"
2533	22½" x 30½"	25½" x 33½"
2549	22½" x 46½"	25½" x 49½"
3333	30½" x 30½"	33½" x 33½"
3349	30½" x 46½"	33½" x 49½"
4949	46½" x 46½"	49½" x 49½"

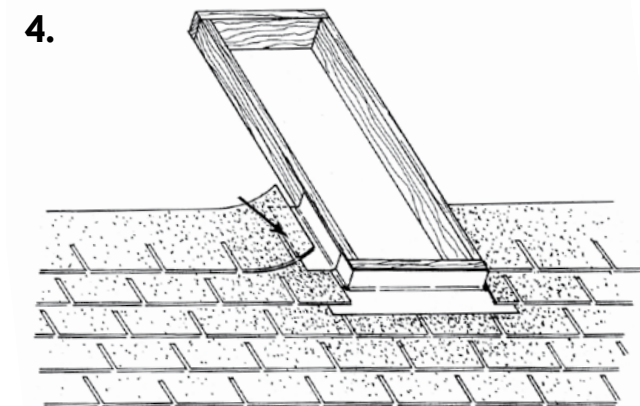
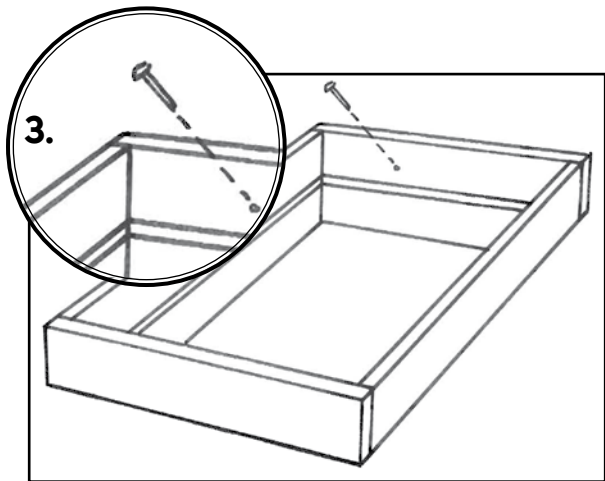
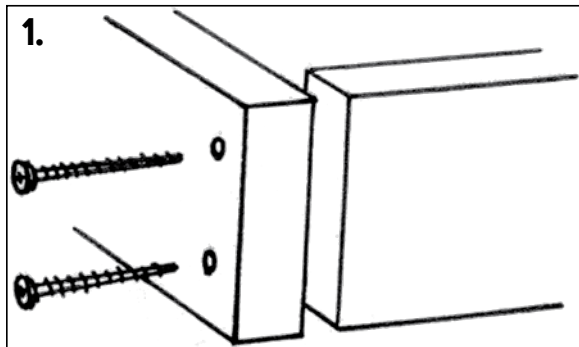


Available:
2 x 4 (3½" High)
2 x 6 (5½" High)

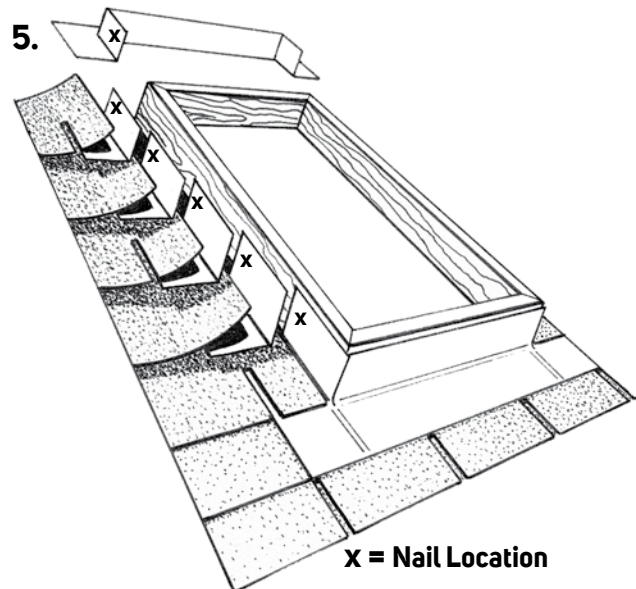


This product designed for use on wood constructed roofs using asphalt shingles, with slope between 2:12 (10°) and 20:12 (60°)

All local building code requirements must be observed when using this product.



1. Assemble curb using the supplied screws in the pre-drilled holes.
2. Cut opening and prepare surface.
3. Attach the curb to the roof using the screws provided through the pre-drilled holes.
4. Shingle up to the bottom of the curb and install the sill flashing. The sill flashing should be on top of the shingle. Attach sill flashing to curb with roofing nails located as shown in (Drawing # 5).
5. Shingle up the sides of the curb alternating shingle and side flashing. Attach side flashing to curb with roofing nails as shown in (Drawing # 5). Do not nail through flashing when attaching shingles to the roof.
6. Install the head flashing piece making sure it is under the shingles above.



x = Nail Location