



DEPARTMENT OF REGULATORY AND ECONOMIC RESOURCES (RER)
BOARD AND CODE ADMINISTRATION DIVISION

MIAMI-DADE COUNTY
PRODUCT CONTROL SECTION
11805 SW 26 Street, Room 208
Miami, Florida 33175-2474
T (786) 315-2590 F (786) 315-2599

www.miamidade.gov/building

NOTICE OF ACCEPTANCE (NOA)

Sun-Tek Manufacturing, Inc.
10303 General Dr.
Orlando, FL 32824

SCOPE:

This NOA is being issued under the applicable rules and regulations governing the use of construction materials. The documentation submitted has been reviewed and accepted by Miami-Dade County RER- Product Control Section to be used in Miami Dade County and other areas where allowed by the Authority Having Jurisdiction (AHJ).

This NOA shall not be valid after the expiration date stated below. The Miami-Dade County Product Control Section (In Miami Dade County) and/or the AHJ (in areas other than Miami Dade County) reserve the right to have this product or material tested for quality assurance purposes. If this product or material fails to perform in the accepted manner, the manufacturer will incur the expense of such testing and the AHJ may immediately revoke, modify, or suspend the use of such product or material within their jurisdiction. RER reserves the right to revoke this acceptance, if it is determined by Miami-Dade County Product Control Section that this product or material fails to meet the requirements of the applicable building code.

This product is approved as described herein, and has been designed to comply with the High Velocity Hurricane Zone of the Florida Building Code.

DESCRIPTION: MD-CMA Skylight.

APPROVAL DOCUMENT: Drawing No. **CMA-002**, titled "MD-CMA", sheets 1 and 2 of 2, prepared by Sun-Tek Manufacturing, Inc., dated May 09, 2011, signed and sealed by James D. Wells, Jr., P.E., on October 06, 2017, bearing the Miami-Dade County Product Control Revision stamp with the Notice of Acceptance number and the expiration date by the Miami-Dade County Product Control Section.

MISSILE IMPACT RATING: Large and Small Missile Impact Resistant

LABELING: Each unit shall bear a permanent label with the manufacturer's name or logo, city, state and following statement: "Miami-Dade County Product Control Approved" or the Product Control Seal, unless otherwise noted herein.

RENEWAL of this NOA shall be considered after a renewal application has been filed and there has been no change in the applicable building code negatively affecting the performance of this product.

TERMINATION of this NOA will occur after the expiration date or if there has been a revision or change in the materials, use, and/or manufacture of the product or process. Misuse of this NOA as an endorsement of any product, for sales, advertising or any other purposes shall automatically terminate this NOA. Failure to comply with any section of this NOA shall be cause for termination and removal of NOA.

ADVERTISEMENT: The NOA number preceded by the words Miami-Dade County, Florida, and followed by the expiration date may be displayed in advertising literature. If any portion of the NOA is displayed, then it shall be done in its entirety.

INSPECTION: A copy of this entire NOA shall be provided to the user by the manufacturer or its distributors and shall be available for inspection at the job site at the request of the Building Official.

This NOA revises NOA #15-0513.05 and consists of this page 1, evidence submitted pages E-1, E-2, and E-3 as well as approval document mentioned above.

The submitted documentation was reviewed by **Helmy A. Makar, P.E., M.S.**



Helmy A. Makar
03/15/2018

NOA No. 17-1023.18
Expiration Date: 03/13/2023
Approval Date: 03/15/2018
Page 1

Sun-Tek Manufacturing, Inc.

NOTICE OF ACCEPTANCE: EVIDENCE SUBMITTED

1. EVIDENCE SUBMITTED UNDER PREVIOUS APPROVAL #08-0110.06

A. DRAWINGS

1. *Manufacturer's die drawings and sections.*
2. *Drawing No. CMA-002, titled "MD-CMA", sheets 1 and 2 of 2, prepared by Sun-Tek Manufacturing, Inc., dated 09/13/95 and 04/25/95, with no revisions, signed and sealed by Rene J. Quiroga, P.E.*

B. TESTS

1. *Test reports on 1) Air Infiltration Test, per FBC, TAS 202-94
2) Uniform Static Air Pressure Test, Loading per FBC TAS 202-94
3) Water Resistance Test, per FBC, TAS 202-94
4) Large Missile Impact Test per FBC, TAS 201-94
5) Cyclic Wind Pressure Loading per FBC, TAS 203-94
6) Forced Entry Test, per FBC 2411 3.2.1, TAS 202-94
along with marked-up drawings and installation diagram of Model MD-CMA Curb Mounted Plastic Dome Skylight, prepared by National Certified Testing Laboratories, Test Report #210-2885-1, dated 10/31/02, signed and sealed by W. A. Davis Jr., P.E.*

C. CALCULATIONS

1. *Anchor calculations prepared by Product Technology Corporation on 02/05/03, signed and sealed by A. Perez Maldonado, PE.*

D. QUALITY ASSURANCE

1. *Miami Dade Building Code Compliance Office (BCCO)*

E. MATERIAL CERTIFICATIONS


1. *Notice of Acceptance No. 07-0212.01 issued to General Electric Plastics for their "Lexan Sheet Products", approved 05/25/07, expiring on 07/17/08.*

F. STATEMENT

1. *Code compliance letter issued by Product Technology Corporation on 02/06/03, signed and sealed by A. Perez Maldonado
(Evidence Submitted under NOA # 03-0401.07)*

G. OTHERS

1. *Notice of Acceptance No. 03-0401.07, issued to Sun-Tek Manufacturing, Inc., approved on 10/09/03 and expiring on 03/13/08.*
2. *No change letter issued by Sun-Tek Manufacturing, Inc., dated 01/02/08, signed by James Feudner.*



Helmy A. Makar, P.E., M.S.
Product Control Section Supervisor
NOA No. 17-1023.18
Expiration Date: 03/13/2023
Approval Date: 03/15/2018

Sun-Tek Manufacturing, Inc.

NOTICE OF ACCEPTANCE: EVIDENCE SUBMITTED

2. EVIDENCE SUBMITTED UNDER PREVIOUS APPROVAL #11-0601.04

A. DRAWINGS

1. *Drawing No. CMA-002, titled "MD-CMA", sheets 1 and 2 of 2, prepared by Sun-Tek Manufacturing, Inc., dated May 09, 2011, signed and sealed by James D. Wells, Jr., P.E., on May 08, 2012.*

B. TESTS

1. *Test reports on 1) Air Infiltration Test, per FBC, TAS 202-94
2) Uniform Static Air Pressure Test, Loading per FBC TAS 202-94
3) Water Resistance Test, per FBC, TAS 202-94
4) Large Missile Impact Test per FBC, TAS 201-94
5) Cyclic Wind Pressure Loading per FBC, TAS 203-94
6) Forced Entry Test, per FBC 2411 3.2.1, TAS 202-94
along with marked-up drawings and installation diagram of Model MD-CMA Curb Mounted Plastic Dome Skylight, prepared by National Certified Testing Laboratories, Test Report No. NCTL-210-3859-1, dated 03/04/13, signed and sealed by Gerard J. Ferrara, P.E.*

C. CALCULATIONS

1. *Anchor calculations prepared by J & L Wells Consulting LLC, 19 pages, dated 03/19/2013, signed and sealed by James D. Wells, Jr., P.E.*

D. QUALITY ASSURANCE

1. *By Miami-Dade County Department of Regulatory and Economic Resources.*

E. MATERIAL CERTIFICATIONS

1. *None.*

F. STATEMENT

1. *Florida Building Code, 2010 Edition, compliance letter prepared by J & L Wells Consulting LLC, dated 04/25/2012, signed and sealed by James D. Wells, Jr., P.E.*

3. EVIDENCE SUBMITTED UNDER PREVIOUS APPROVAL #15-0513.05

A. DRAWINGS

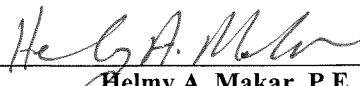
1. *Drawing #CMA-002, titled "MD-CMA", sheets 1 and 2 of 2, prepared by Sun-Tek Manufacturing, Inc., dated 05/09/11, signed & sealed by James D. Wells, Jr., P.E., on 05/08/12.*

B. TESTS

1. *None.*

C. CALCULATIONS

1. *None.*



Helmy A. Makar, P.E., M.S.
Product Control Section Supervisor
NOA No. 15-0513.05
Expiration Date: 03/13/2018
Approval Date: 11/05/2015

Sun-Tek Manufacturing, Inc.

NOTICE OF ACCEPTANCE: EVIDENCE SUBMITTED

D. QUALITY ASSURANCE

1. By Miami-Dade County Department of Regulatory and Economic Resources.

E. MATERIAL CERTIFICATIONS

1. None.

F. STATEMENT

1. Florida Building Code, 2014 Edition, compliance letter prepared by J & L Wells Consulting LLC, dated 05/05/2015, signed and sealed by James D. Wells, Jr., P.E.

4. NEW EVIDENCE SUBMITTED

A. DRAWINGS

1. Drawing No. CMA-002, titled "MD-CMA", sheets 1 and 2 of 2, prepared by Sun-Tek Manufacturing, Inc., dated May 09, 2011, signed and sealed by James D. Wells, Jr., P.E., on October 06, 2017.

B. TESTS

1. None.

C. CALCULATIONS

1. None.

D. QUALITY ASSURANCE

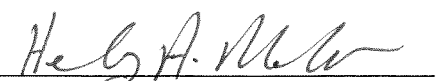
1. By Miami-Dade County Department of Regulatory and Economic Resources.

E. MATERIAL CERTIFICATIONS

1. None.

F. STATEMENT

1. Florida Building Code, 2017 Edition, compliance letter prepared by J & L Wells Consulting LLC, dated 10/06/2017, signed and sealed by James D. Wells, Jr., P.E.



Helmy A. Makar, P.E., M.S.
Product Control Section Supervisor
NOA No. 15-0513.05
Expiration Date: 03/13/2018
Approval Date: 11/05/2015

J & L Wells Consulting LLC

1453 Arbutus Circle

Oviedo, FL 32765

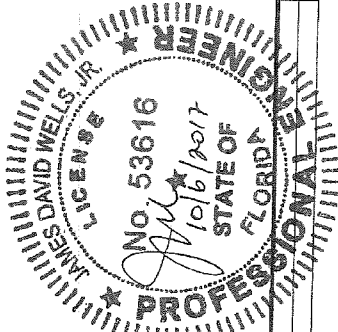
(407) 496-5489

Certificate of Authorization No. 27162

Engineer of Record:

James D. Wells, Jr., P.E.

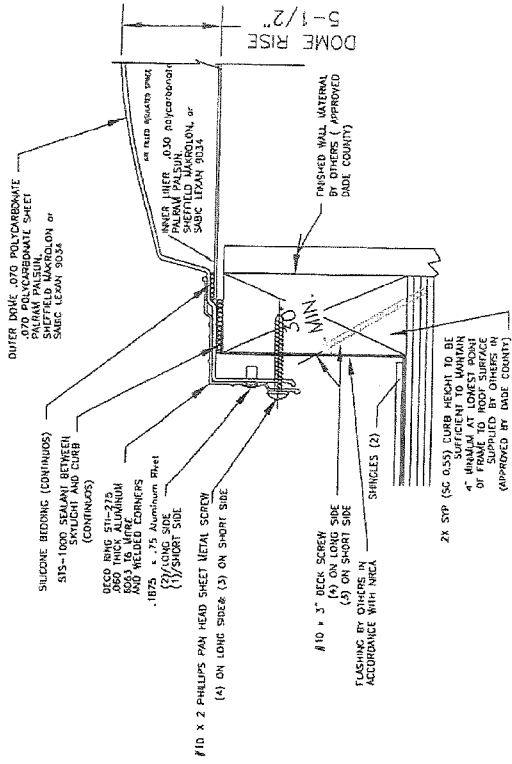
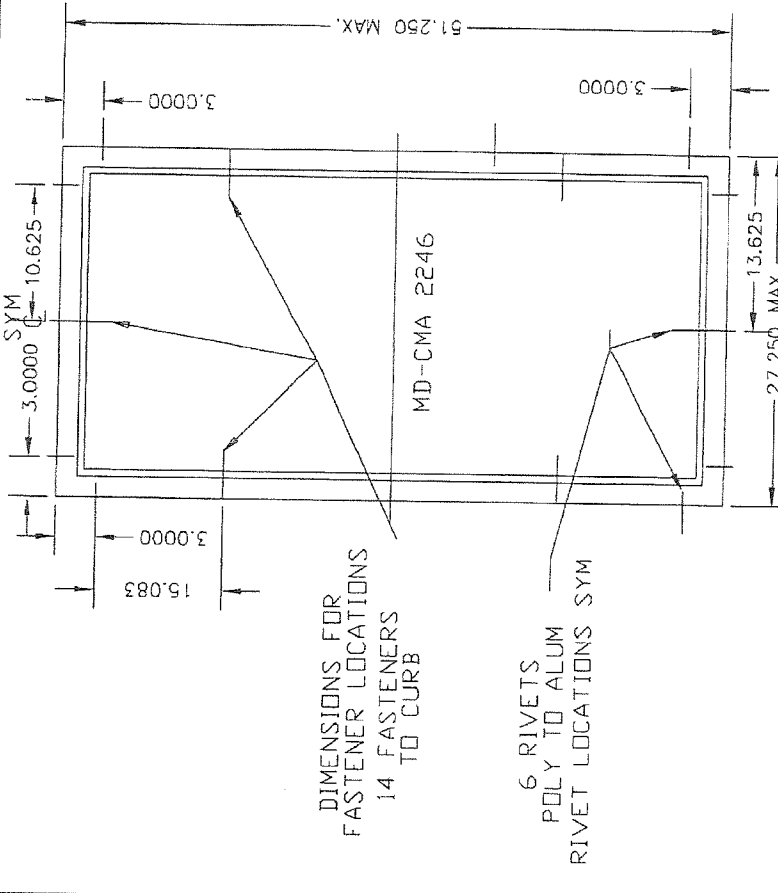
Professional Engineer No. 53616



PART NAME: MD-CMA PLAN

SHEET 1 OF 2
DRAWN BY: L.B. REED

DWG. #: CMA-002



- NOTE: ALL ROOFING DETAILS SHALL COMPLY WITH CHAPTER 15 OF THE 2017 FLORIDA BUILDING CODE
- (1) 2x 2x 4" DUMP HEIGHT TO BE MAINTAINED AT LEAST 4" MINIMUM AT LOWEST POINT OF FRAME TO ROOF SURFACE TO PREVENT WATER INGRESS BY (APPROVED BY DAB COUNTY)
 - (2) 4" MINIMUM DISTANCE FROM ANGLE LIP TO ROOF SURFACE IS FOR SHINGLE OR BURR, WITHOUT INSULATION, FOR INSULATION AND TILE ROOF ADD TILE HEIGHT AND INSULATION THICKNESS TO 4" MINIMUM HEIGHT.
 - (3) ANCHORS TO BE MADE OF NON-CORROSIVE MATERIAL. COMPATIBLE WITH ALUMINUM.

DESIGN PRESSURE RATING	+/- 60 PSF.
LARGE MISSILE IMPACT RESISTANCE	

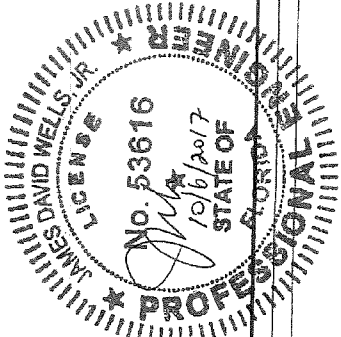
MODEL	PER LONG SIDE	PER SHORT SIDE	PER LONG SIDE	PER SHORT SIDE
2246	4	3	3	2
2216	4	3	2	1
2230	4	3	2	1
2222	3	3	2	1
1919	3	3	2	1
1430	4	3	2	1
1422	3	3	2	1
1414	2	2	1	1

PRODUCT REVISED as complying with the Florida Building Code
 Acceptance No. 17-1023.18
 Expiration Date 03/13/2023
 By: *Heidi Allen*
 Product Control

REVISION	DATE	INITIALS	DATE	INITIALS
PRODUCT NAME: MD-CMA		SCALE: 1/8" = 1'-0"		
PART NAME: MD-CMA PLAN		DWG NO: MA-002		
SUN-TEK MANUFACTURING, INC.		ORLANDO, FL 32824		

J & L Wells Consulting LLC
 1453 Arbutus Circle
 Oviedo, FL 32765
 (407) 496-5489
 Certificate of Authorization No. 27162

Engineer of Record:
 James D. Wells, Jr., P.E.
 Professional Engineer No. 53616



PART NAME: PRODUCT DRAWING

SHEET 2 OF 2
 DRAWN BY: JWF

DWG.#: CMA-002

DESIGN PRESSURE RATING
+ - 60 PSF
LARGE MISSILE IMPACT RESISTANCE

#10 x 2" SCREW PPH
 (4) ON LONG SIDE & (3) ON SHORT SIDE
 MINIMUM EMBEDMENT 1"

DECO RING STI-275
 .060 THICK ALUMINUM
 6063 T6 MITRE
 AND WELDED CORNERS

INNER LINER .030 polycarbonate
 (Palram Palsun,
 Sheffield Makrolon or
 Sobic Lexan 9034)

PRODUCT ADVISED

as complying with the Florida
 Building Code
 Acceptance No. 17-1023.18
 Expiration Date 03/13/2023
 By *[Signature]*
 Miami Dade Product Control

4" MINIMUM
 SEE NOTE #2

SHINGLES (2)

FINISHED WALL MATERIAL
 BY OTHERS (APPROVED
 DADE COUNTY)

#10 x 3" DECK SCREW
 (4) ON LONG SIDE
 (3) ON SHORT SIDE
 MINIMUM EMBEDMENT 5/8"

- NOTE:
 * (1) ALL ROOFING DETAILS SHALL COMPLY WITH CHAPTER 15 OF THE 2017 FLORIDA BUILDING CODE
 (2) 4" MINIMUM DISTANCE FROM ANGLE LIP TO ROOF SURFACE IS FOR SHINGLE OR B.U.R. WITHOUT INSULATION. FOR INSULATION AND TILE ROOF ADD TILE HEIGHT AND INSULATION THICKNESS TO 4" MINIMUM HEIGHT.
 (3) ANCHORS TO BE MADE OF NON-CORROSIVE MATERIAL, COMPATIBLE WITH ALUMINUM.

STS-1000 SEALANT (CONTINUOUS)

OUTER DOME .070 POLYCARBONATE
 (Palram Palsun,
 Sheffield Makrolon or
 Sobic Lexan 9034)

SILICONE BEDDING (CONTINUOUS)
 BUTYL RUBBER SEALANT
 BETWEEN SKYLIGHT
 AND CURB (continuous)

SHIM @ EA. ANCHOR (TYP)
 WITH LOAD BEARING SHIM
 0.500 MAX.

3/16" RIVET
 (2) / LONG SIDE
 (1) / SHORT SIDE

FLASHING BY OTHERS IN
 ACCORDANCE WITH NRCA

SSD
 GOOM
 1/2
 1/2

2X SYP (SG 0.55) CURB HEIGHT
 TO BE SUFFICIENT TO MAINTAIN
 4" MINIMUM AT LOWEST POINT
 OF FRAME TO ROOF SURFACE
 SUPPLIED BY OTHERS AN
 (APPROVED BY DADE COUNTY)

ROOF DECK

REVISION

REVISION

PRODUCT NAME: MD-CMA

DATE: 5.09.11

SCALE:

SUN-TEK MANUFACTURING, INC.
 10503 GENERAL DRIVE
 ORLANDO, FL 32824